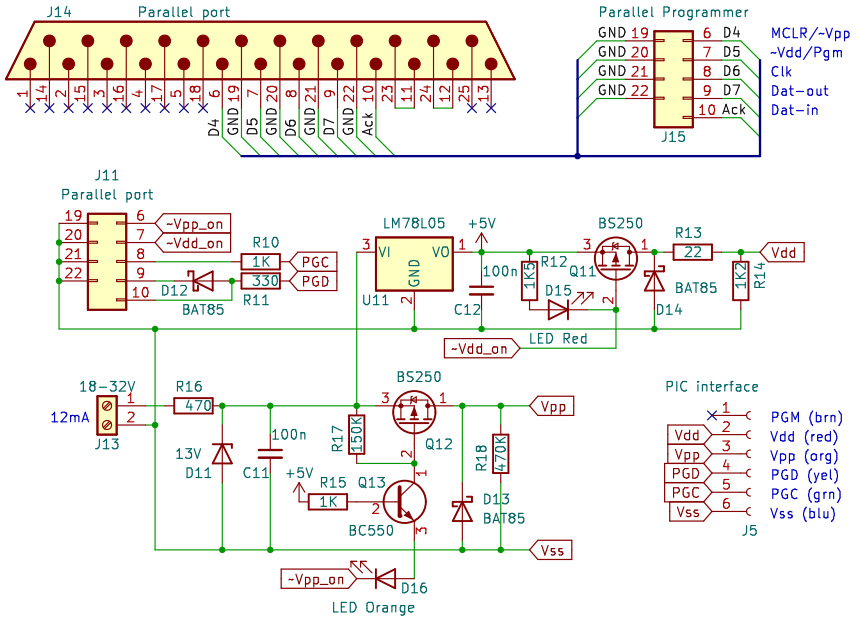
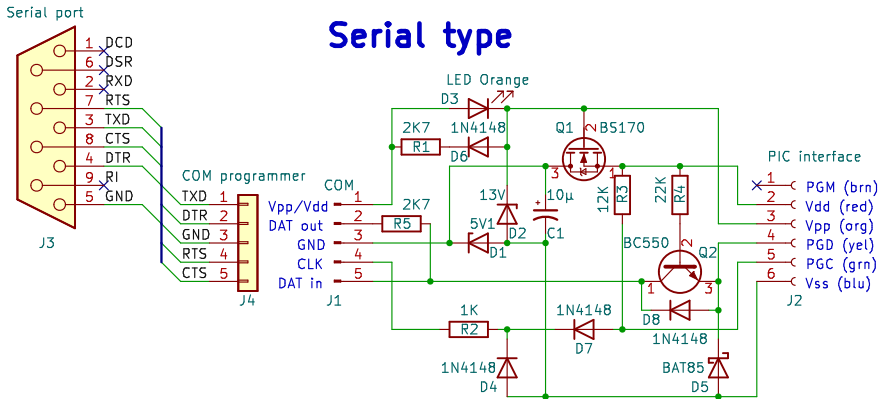


Parallel type



Serial type



Parallel: New design, Serial: Based on and compatible with JDM programmer.
Includes enhancement (Vpp before Vdd) by B.T. Kelly.
Added In progress indicator and changed design to reduce excessive currents.
Faster since no need for JDM charge pump in software.

Design by A.C.M. Daas

Sheet: /
File: PICprogr.kicad_sch

Title: Parallel/Serial-port hardware for use with PICPgm software

Size: A5 Date: 2024-04-18
KiCad E.D.A. kicad 7.0.11-7.0.11-ubuntu22.04.1

Rev:
Id: 1/1